



5300 Marine Series

Door furniture



The Legge 5300 Series narrow stile furniture has been designed for heavy duty commercial applications. This Series is constructed from 316 marine grade stainless steel, making it suitable for both external and internal applications.

It also suits high traffic applications, such as retail educational, government buildings, healthcare, and commercial premises. The narrow plate is ideal for use on narrow aluminium or timber stiles.

316 marine grade stainless steel properties include increased wear resistance, corrosion resistance, and suitability for coastal applications.

Features

- Constructed of quality components, with **cast 316 grade stainless steel** levers and plates
- The heavy duty spring provides a smooth, fast return action of the lever and eliminates droop extending the life of the furniture
- The handing mechanism of this Series allows the furniture to be handed on site, prior to installation by rotating the lever to the preferred hand and fitting the stop block to secure it's position
- The Alpha lever is AS1428:1-2009 compliant



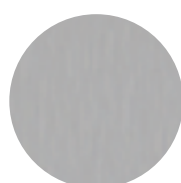
| Warranties | |
|------------|--|
| Mechanical | 30 years |
| Finish | allegion.co.nz/finisheswarranty |

Specification guide

| Brand | Function | Levers | Finish |
|-------------|-----------------------|--------------|-------------------------------------|
| Legge.....L | refer following pages | Alpha.....29 | 316 Satin Stainless Steel SSS |

- 1. Function**
Select the desired function e.g. External plate with cylinder L5300/
- 2. Lever**
Select the required lever design - e.g. Alpha #29L5300/29
- 3. Finish**
Select the desired finish e.g. Satin stainless steel L5300/29SSS

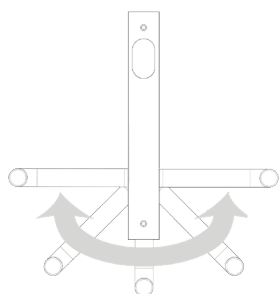
Finish



SSS

Satin Stainless Steel

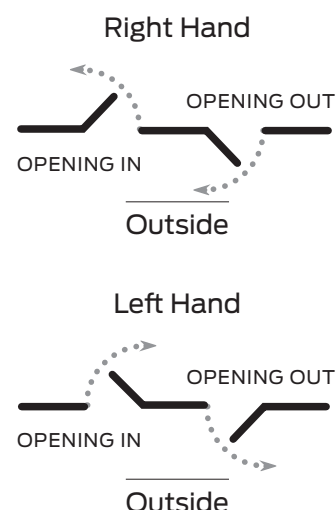
Lever handing



Handing is as simple as a turn of the handle.

Handing of the lever is as simple as rotating the handle 180° as illustrated. The spring simply needs to be guided into the channel once the handing has been determined.

Handing guide



Specifications

| | |
|---------------------------|---|
| Door type | Timber or metal |
| Door thickness | 32mm to 50mm (51mm to 75mm with optional extended screws) |
| Fixing centres | 159mm |
| Plate height | 185mm |
| Plate width | 25mm |
| Plate thickness | 12mm |
| Lever to cylinder centres | 90mm for 995MF mortice lock |
| Spindle size | 7.6mm |
| Compatible locks/latches | Legge 995MF |
| Fixing | Back to back. External plates concealed fixing. Screws supplied with exterior plates only. 75mm M4 screw |
| Materials | Cast 316 grade stainless steel |

Testing and Compliance



Accessibility:
Compliant to the AS 1428:1-2009 Design for Access and Mobility

Caution:
When door closers are installed and adjusted to meet reduced opening force requirements, there may be insufficient power to reliably close and latch the door, depending on prevailing operating conditions.

Note:
In areas of high wind pressure and/or air conditioning pressures, the LCN Automatic Door Operators are recommended.

Lever dimensions

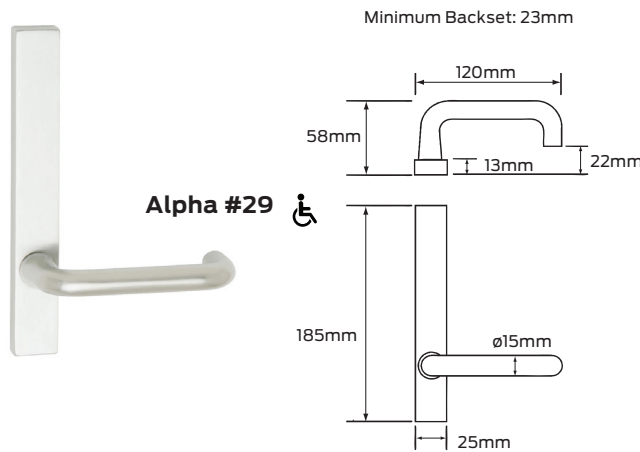


Plate dimensions for 995MF

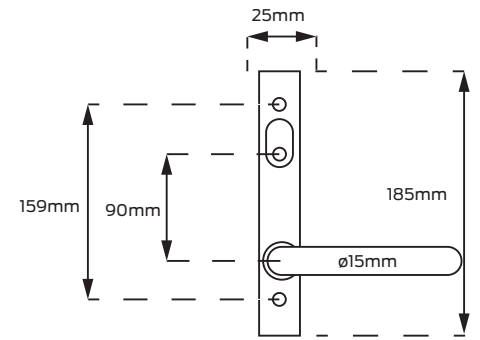


Plate function options - External plates



Plate function options - Internal plates



Legend

| | | | |
|------------------|--|-------------------------|--|
| Turn snib | | Accessible Turn | |
| Cylinder hole | | AS1428:1 2009 Compliant | |
| Emergency button | | Deontes handed lever | |